

# 6SQ Bollard Selector Guide

## 6" SQUARE Standard Options

Phone: 877.421.9490  
Fax: 877.421.3158  
customerservice@wikk.com



### General Information

Wikk offers a standardized selection of 6" x 6" profile bollard solutions for streamlined ordering.

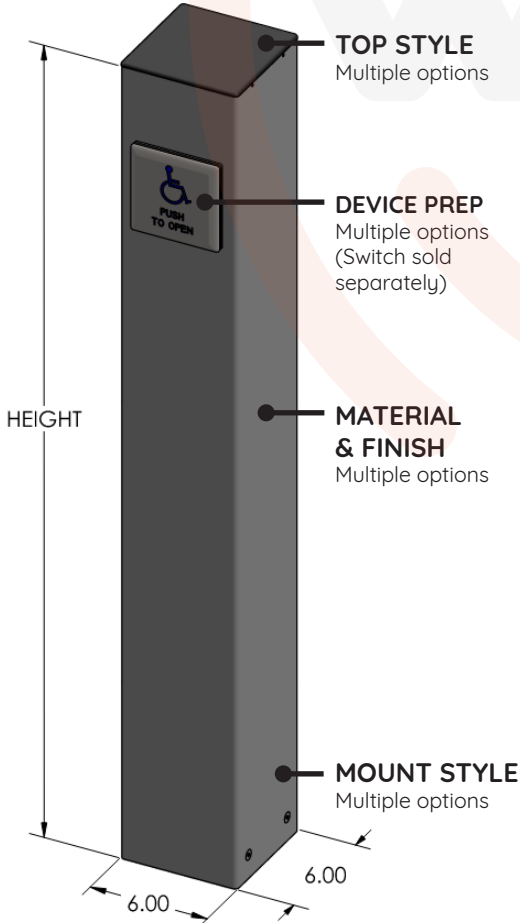
Use the Part Numbering Guide to choose the appropriate configuration. Standard option 6SQ bollards do not require an approved drawing before fabrication.

Stock product ships from the factory within 1-2 business days after receipt of a purchase order. Custom product ships within 20 business days.

Need more options? Wikk offers countless customization choices to fit your project needs, including custom sizes, shapes, and mounting configurations. Contact [customerservice@wikk.com](mailto:customerservice@wikk.com) for design assistance.

### SIZE PROFILE

All bollards are 6" wide x 6" deep (6SQ) with either 42" or 48" height above finished floor.



### Wikk Part Numbering Guide

When quoting or ordering a bollard, follow this convention:

#### CLASS TYPE - SIZE - TOP - FINISH - MOUNT - PREP

Example: B-6SQ-RT-CL-SM-SG

#### CLASS TYPE

B Bollard

#### SIZE

6SQ 6" Square outside dimension

#### TOP

RT Removable flat black cap, secured with set screws  
CT Removable metal clad cap, secured with set screws\*

#### FINISH

CL Aluminum 6063-T5, clear anodized (628)  
DB Aluminum 6063-T5, dark bronze anodized (710)  
32D Stainless steel 304, US32D (630)

#### MOUNT

SM Surface mount concealed base  
IG In-ground mount

#### PREP OPTION

SG Single gang prep at 36" AFF  
INGR Prep for 36" INGRESS'R®  
HL High & low single gang preps at 36" AFF and 7" AFF  
NP No prep (preps to be done in the field by others)\*\*  
ING48 Prep for 36" INGRESS'R® and no prep above  
ING48SG Prep for 36" INGRESS'R® and single gang prep above

\*Sold as a separate add-on accessory (P/N: BC-6SQ-CT-XXXXX).

\*\*Please note: Any modification done to the bollard will void Wikk's Warranty policy.

#### AVAILABLE AS STOCK [SHIPS IN 1-2 BUSINESS DAYS]

B-6SQ-RT-CL-SM-SG	B-6SQ-RT-DB-SM-SG
B-6SQ-RT-CL-SM-INGR	B-6SQ-RT-DB-SM-INGR
B-6SQ-RT-CL-SM-NP	B-6SQ-RT-DB-SM-NP
B-6SQ-RT-CL-SM-ING48SG	B-6SQ-RT-DB-SM-ING48SG
B-6SQ-RT-CL-SM-HL	B-6SQ-RT-DB-SM-HL

B-6SQ-RT-32D-SM-SG  
B-6SQ-RT-32D-SM-ING48SG



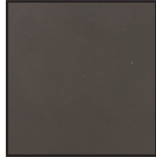
### Select One of Each

#### Material & Finish:



**Clear Anodized (628)**

ALUMINUM  
0.135" Wall Thickness



**Dark Bronze Anodized (710)**

ALUMINUM  
0.135" Wall Thickness

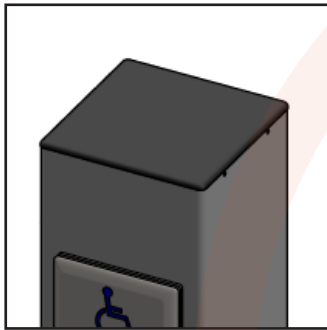


**Satin US32D (630)**

STAINLESS STEEL  
0.120" Wall Thickness

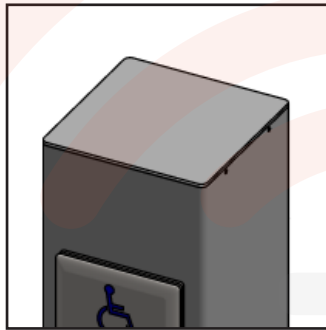
- Choose Aluminum for a durable, cost-effective option.
- Choose Stainless Steel for a premium long-lasting, and corrosion resistant option.

#### Top Style:



**Removable Flat Black Cap (Standard option)**

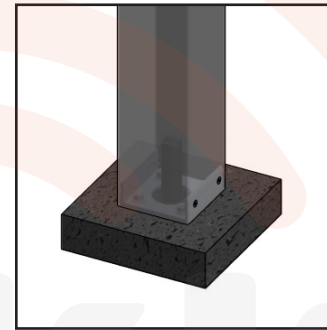
Removable, weather-resistant black cap secured with stainless steel set screws. Standard option.



**Removable Metal Clad Cap (Included as Add-On)**

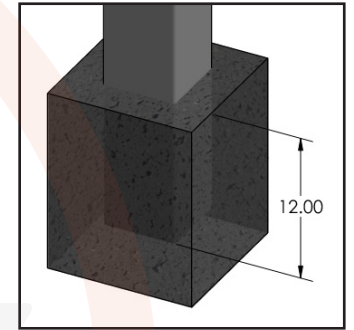
Removable, weather-resistant metal clad top secured with stainless steel set screws. Finish of the metal cladding is matched with the bollard body. Included as an add-on accessory.

#### Mount Style:



**Surface Mount Concealed Base**

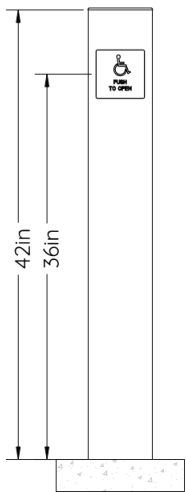
Bollard is provided with an aluminum mounting bracket, stainless steel fasteners, and concrete anchors for surface mounting on top of floor.



**In-Ground Mount**

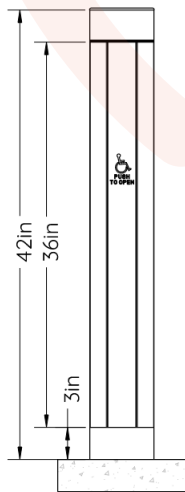
Bottom of bollard is extended 12" for permanent embedment into foundation during groundwork phase. Total bollard length increased to 54".  
*Note: Only available with SG Prep or HL Prep.*

#### Device Prep:



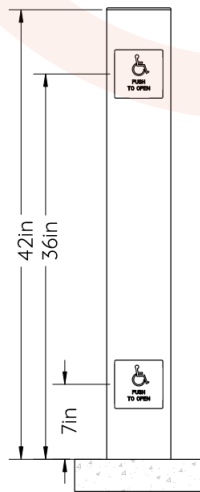
**SG**

Single gang prep at 36" AFF



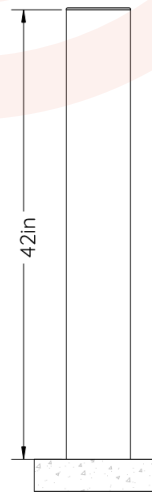
**INGR**

36" INGRESS'R® prep



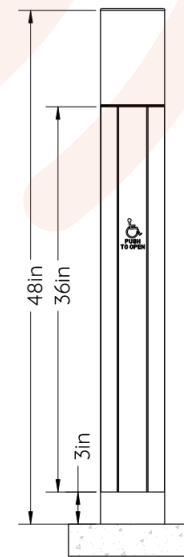
**HL**

Single gang preps at 36" AFF and 7" AFF



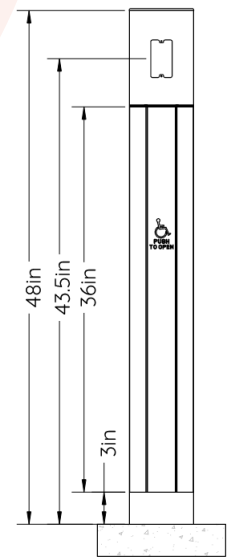
**NP**

No prep



**ING48**

36" INGRESS'R® prep and no prep above



**ING48SG**

36" INGRESS'R® prep and single gang prep above

(Devices sold separately)