

4 1/2" Square Switch Specification

4X4 Series

Phone: 877.421.9490
 Fax: 877.421.3158
 customerservice@wikk.com



Pictured:
S-4X4-3-US32D

Specification Summary

The switches to be used throughout the complex shall be Wikk® Industries, Inc. 4X4 (4 1/2" x 4 1/2") switches, and shall be ADA compliant. Switches shall be such that pressing any part of the face plate will activate the device. Face plates shall be constructed with 18GA 304 Stainless Steel or 16GA Brass. Switches shall use a conical spring to provide consistent activation. Switches shall be rated at 15A, 125/250VAC; 3/4hp, 125VAC.

To ensure competitive bidding by qualified Sub Contractors, please specify Wikk's products in CSI Divisions: 8, 14, or 28.

Technical:

Overall Dimensions: 4.5" W X 4.5" H X 5/8" Deep
(114mm X 114mm X 16mm)

Switch Type: Momentary
Contact Type: Single Pole-Double Throw micro-switch capable of normally open or normally closed operation

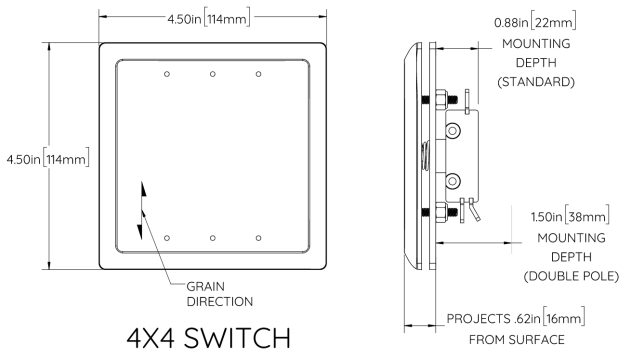
Rated: 15 Amp, 125/250 VAC

Compatible Connectivity: Low-energy automatic door operators

Max. Temp Rating: -40°F to 221°F (-40°C to 105°C)
Listed: UL and CSA

Features:

- Smooth rounded edges
- Tamper resistant with no visible mounting
- Ready for hardwired or wireless products
- Weather resistant, ready for indoor or outdoor applications
- Multiple logo options available
- Multiple finish options available



Wikk Part Numbering Guide

When quoting or ordering a Wikk® 4X4 Switch, follow this convention:

CLASS TYPE - SIZE - LOGO - FINISH - [OPTION(S)]

CLASS TYPE

S Switch

SIZE

4X4 4 1/2" Square

LOGO

- 0 Blank / No logo
- 1 Custom logo (Contact Wikk)
- 2 "PUSH TO OPEN"
- 3 International Symbol of Access with "PUSH TO OPEN"
- 3L International Symbol of Access with "PUSH TO OPEN" & Left Arrow
- 3R International Symbol of Access with "PUSH TO OPEN" & Right Arrow
- 4 "PRESS TO OPERATE"
- 5 International Symbol of Access
- 6 Modified International Symbol of Access with "PUSH TO OPEN"

FINISH

- US32D Satin Stainless Steel 304, US32D (630)
- US32 Mirror Stainless Steel 304, US32 (629)
- US4 Satin Brass (606)
- US3 Mirror Brass (605)
- US10B Oil-rubbed Antique Brass (613)
- PC Powder coat custom color

OPTIONS

- 2P Double Pole Double Throw

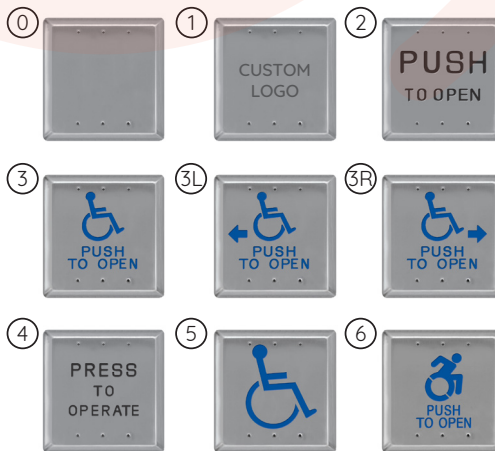
AVAILABLE AS STOCK [SHIPS IN 2-3 BUSINESS DAYS]:

S-4X4-2-US32D
 S-4X4-3-US32D

S-4X4-3-US10B
 S-4X4-4-US32D

S-4X4-5-US32D

Logos



Standard ink color by logo:
 (Other colors offered on request)

BLUE: 3 / 3L / 3R / 5 / 6 BLACK: 2 / 4

Finishes

