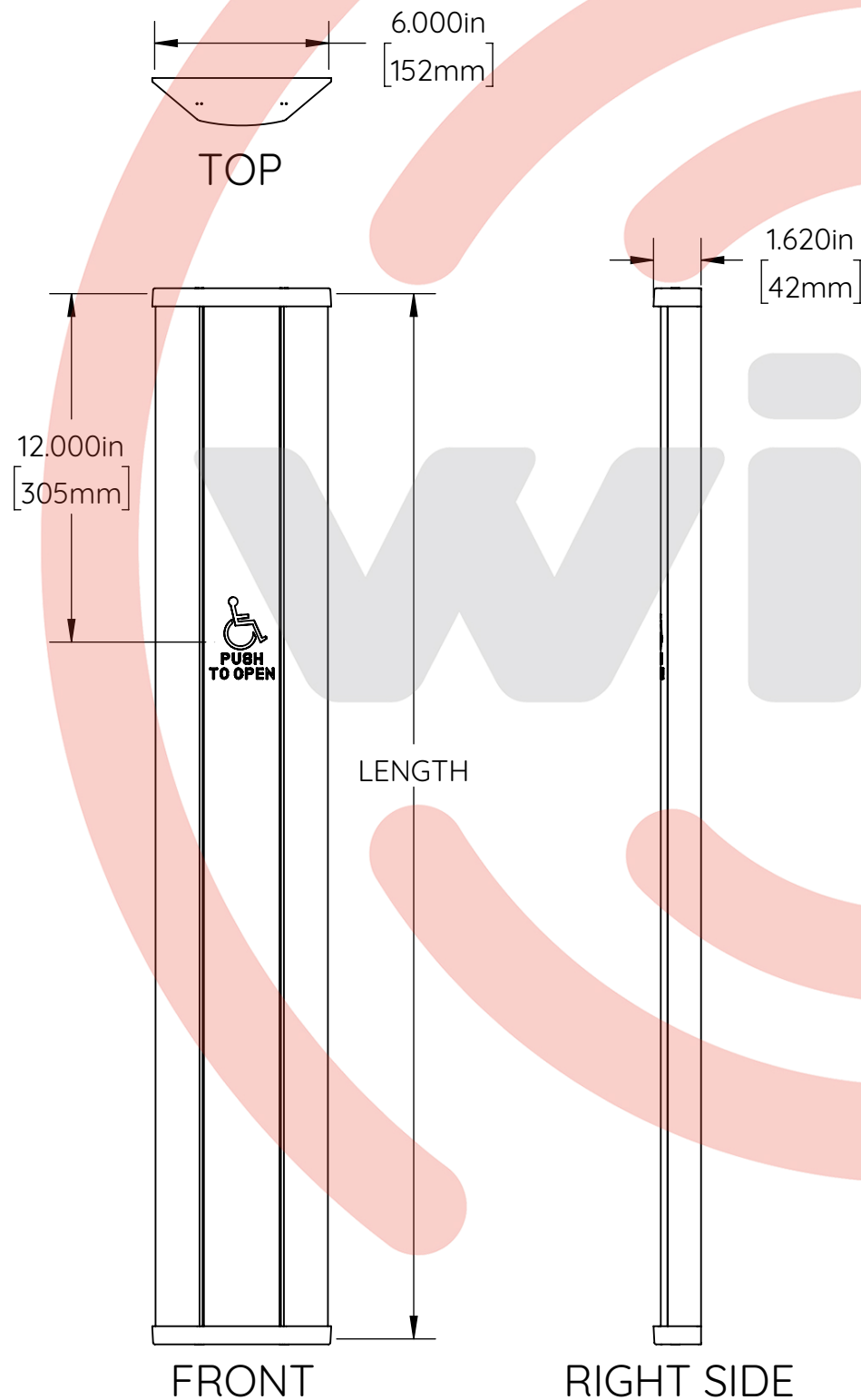
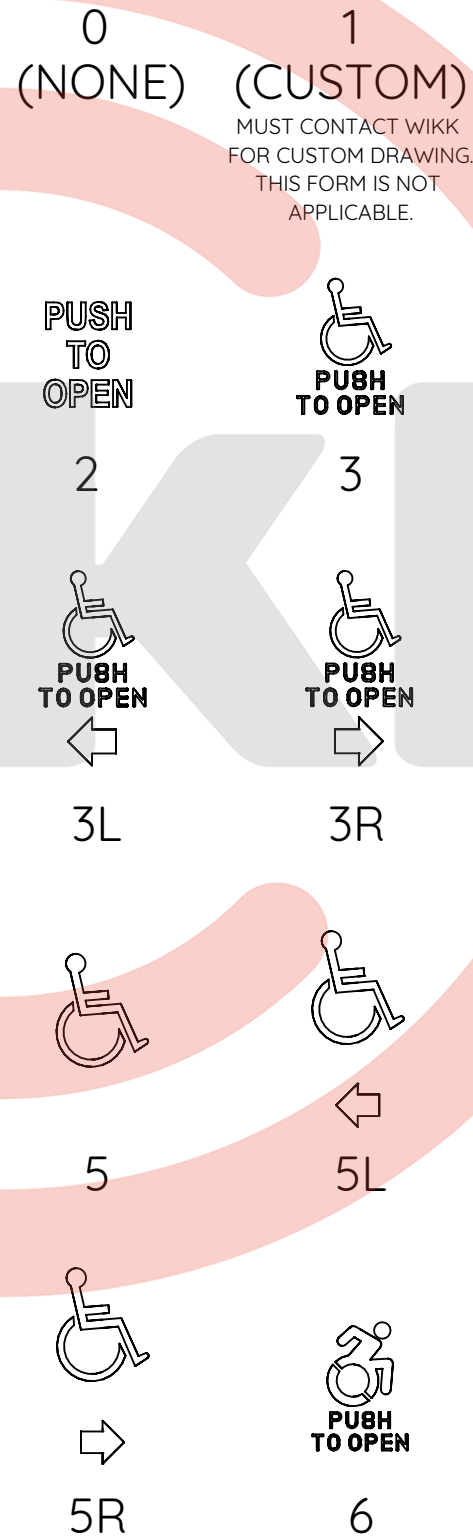


CUSTOM INGRESS'R (STANDARD WIDTH) APPROVAL FORM

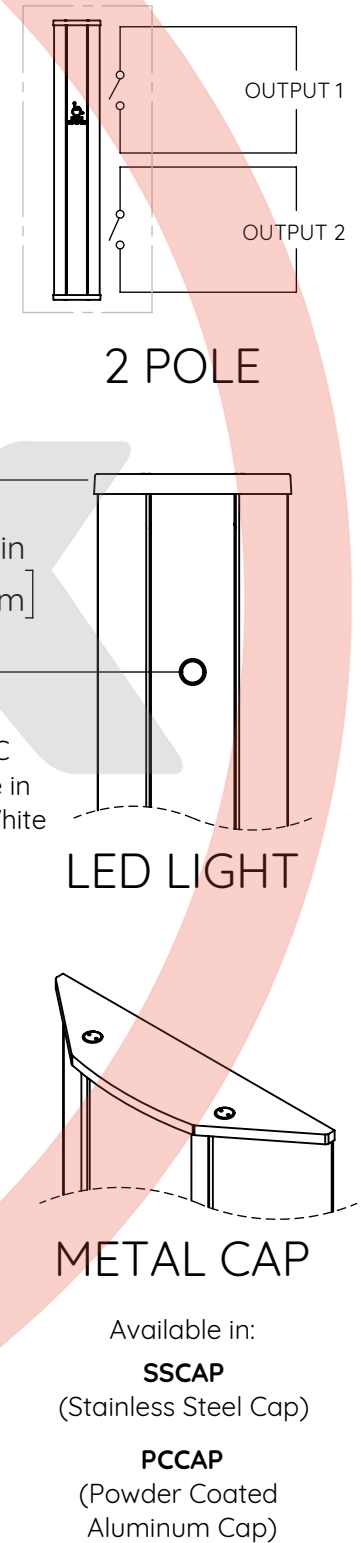
INGRESS'R DIMENSIONS



LOGOS



OPTIONS



INSTRUCTIONS:

Fill in PURCHASE ORDER NUMBER and desired QUANTITY
 Select desired LENGTH
 Select desired LOGO
 Select desired INK COLOR
 Select desired FINISH
 Select OPTIONS (choose multiple if needed)
 Sign Initials & Date in CUSTOMER APPROVAL box

Email approved document to customerservice@wikk.com along with purchase order or include PO reference number in the subject line.

PURCHASE ORDER NO. _____

QUANTITY _____

LENGTH OF ACTUATOR

___ 24 inches ___ 30 inches ___ 36 inches ___ 42 inches

LOGO

___ 0 ___ 2 ___ 3 ___ 3L ___ 3R ___ 5 ___ 5L ___ 5R ___ 6

INK COLOR

FINISH

___ BLUE
 ___ WHITE
 ___ BLACK
 ___ RED
 ___ OTHER

Specify Color: _____

___ CLEAR (Clear Anodized Aluminum)
 ___ DB (Dark Bronze Anodized Aluminum)
 ___ US32D (Satin Stainless Steel)*
 ___ US32 (Mirror Stainless Steel)*
 ___ US4 (Satin Brass)*
 ___ US3 (Mirror Brass)*
 ___ US10B (Oil Rubbed Oxidized Brass)*
 ___ POWDER COAT TO MATCH CLEAR
 ___ POWDER COAT TO MATCH DB
 ___ POWDER COAT BLACK
 ___ POWDER COAT EXOTIC
 Specify TIGER Drylac® Color ID: _____ / _____

*Not available for 42" length

OPTION(S)

___ 2P (2 POLE) ___ LED (BLUE) ___ LED (WHITE) ___ SSCAP ___ PCCAP

CUSTOMER APPROVAL

INITIAL _____

DATE _____

MATERIAL REFER TO FORM

FINISH REFER TO FORM

QUANTITY REFER TO FORM

NAME

DATE

DRAWN KH 1/4/2022

CHECKED --- 1/4/2022

WARRANTY IS VOIDED IF ANY ALTERATIONS OR MODIFICATIONS ARE MADE TO THE SWITCH

PROPRIETARY AND CONFIDENTIAL THE INFORMATION CONTAINED IN THIS DRAWING IS THE SOLE PROPERTY OF WIKK INDUSTRIES, INC. ANY REPRODUCTION IN PART OR AS A WHOLE WITHOUT THE WRITTEN PERMISSION OF WIKK INDUSTRIES, INC. IS PROHIBITED.

JOB NAME ---

DRAWING NO. S-INGR-CUST APPROVAL



Wikk® Industries, Inc.
 6169A Industrial Court
 Greendale, WI 53129
 Phone: 877-421-9490

www.wikk.com

WIKK PART NO. S-IXX-X-XXXXX

SCALE: NTS SHEET 1 OF 1