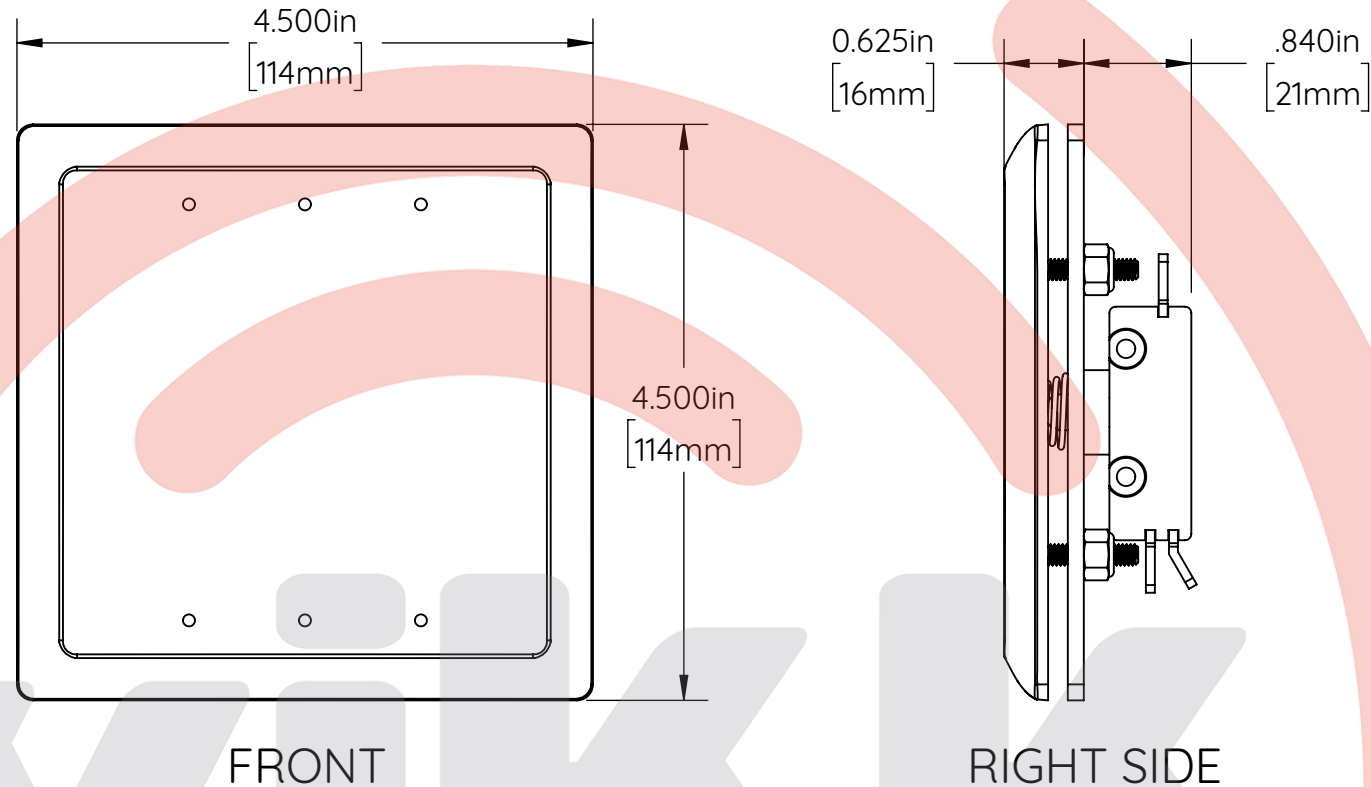


CUSTOM 4 1/2" SQUARE SWITCH APPROVAL FORM

SWITCH DIMENSIONS
(STANDARD SINGLE POLE)



LOGO OPTIONS

FOR OTHER LOGO REQUESTS (CUSTOM LOGO = 1): CONTACT WIKK FOR CUSTOM DRAWING

0 (NONE)	2	3	3L
3R	4	5	6

INSTRUCTIONS:

Fill in PURCHASE ORDER NUMBER and desired QUANTITY
 Select desired LOGO
 Select desired INK COLOR
 Select desired FINISH
 Select DOUBLE POLE option if needed
 Sign Initials & Date in CUSTOMER APPROVAL box

Email approved document to customerservice@wikk.com along with purchase order or include PO reference number in the subject line.

PURCHASE ORDER NO. _____

QUANTITY _____

LOGO	
<input type="checkbox"/> 0	<input type="checkbox"/> 2 <input type="checkbox"/> 3 <input type="checkbox"/> 3L <input type="checkbox"/> 3R <input type="checkbox"/> 4 <input type="checkbox"/> 5 <input type="checkbox"/> 6

INK COLOR	FINISH
<input type="checkbox"/> BLUE <input type="checkbox"/> WHITE <input type="checkbox"/> BLACK <input type="checkbox"/> RED <input type="checkbox"/> OTHER Specify Color: _____	<input type="checkbox"/> US32D (Satin Stainless Steel) <input type="checkbox"/> US32 (Mirror Stainless Steel) <input type="checkbox"/> US4 (Satin Brass) <input type="checkbox"/> US3 (Mirror Brass) <input type="checkbox"/> US10B (Oil Rubbed Oxidized Brass) <input type="checkbox"/> POWDER COATED Specify TIGER Drylac® Product Color ID: _____ / _____

2P OPTION (DOUBLE POLE SWITCH)

WIKK PART NUMBER GUIDE:

S - 4X4 - [LOGO] - [FINISH] - [OPTION] Where S = Switch
 4X4 = 4 1/2" Square

Example 1: S-4X4-2-US4
 Example 2: S-4X4-5-PC-2P

CUSTOMER APPROVAL	NAME	DATE		Wikk® Industries, Inc. 6169A Industrial Court Greendale, WI 53129 Phone: 877-421-9490 www.wikk.com
	DRAWN	1/4/2022		
INITIAL _____	KH	---	WARRANTY IS VOIDED IF ANY ALTERATIONS OR MODIFICATIONS ARE MADE TO THE SWITCH	
DATE _____	---	1/4/2022		
MATERIAL REFER TO FORM	PROPRIETARY AND CONFIDENTIAL		JOB NAME	---
FINISH REFER TO FORM	THE INFORMATION CONTAINED IN THIS DRAWING IS THE SOLE PROPERTY OF WIKK INDUSTRIES, INC. ANY REPRODUCTION IN PART OR AS A WHOLE WITHOUT THE WRITTEN PERMISSION OF WIKK INDUSTRIES, INC. IS PROHIBITED.		DRAWING NO.	S-4X4-CUST APPROVAL
QUANTITY REFER TO FORM			WIKK PART NO.	S-4X4-X-XXXXX
			SCALE:	NTS
			SHEET 1 OF 1	

Exact product dimensions and features may vary slightly from example shown above.