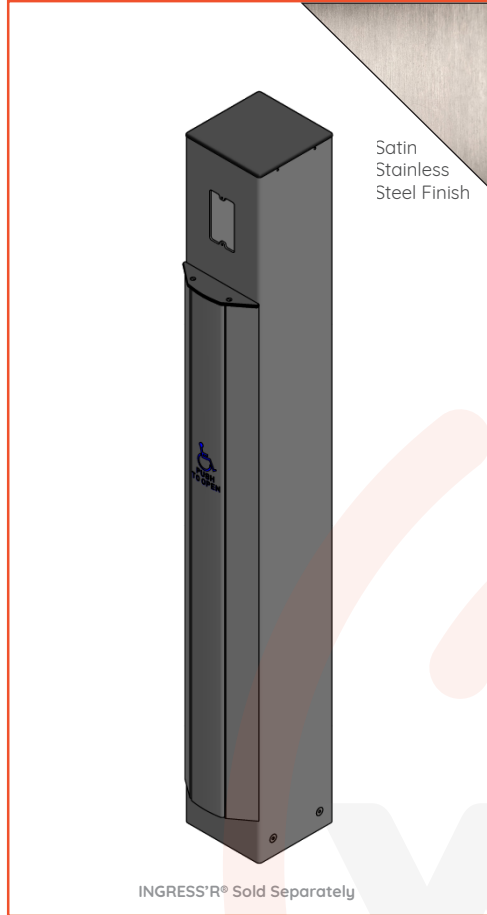


Bollard SQ1(SS)

B-6SQ-RT-32D-SM-ING48SG

Satin Stainless Steel (630)

Phone: 877.421.9490
 Fax: 877.421.3158
 customerservice@wikk.com



Specification Summary

Bollard overview:

1. Manufacturer: **Wikk® Industries Inc.**
2. Model: **B-6SQ-RT-32D-SM-ING48SG**
3. Height: 48" (1219 mm)
4. Shape: 6" square (152 mm x 152 mm)
5. Material: Satin Stainless Steel 304, .120" wall (3.0 mm)
6. Finish: Satin (US32D) #4 (630)
7. Top: Removable Black Marine Board Cap
8. Mount: Concealed Surface Mount
9. Prep for Device at 43.5" AFF (1105 mm)
10. Prep for I36 Series INGRESS'R®
11. Country of Origin: Made in the U.S.A.

Optional add-ons:

- Transmitter & receiver pair for wireless applications (available in 433 or 868 MHz)

Countless custom options available!

Contact Wikk for custom short specs or budgetary and design assistance.

To ensure competitive bidding by qualified Sub Contractors, please specify Wikk's products in CSI Divisions: 8, 14, or 28.

Features & Benefits

Competitive 2-day lead time
 Ships from the factory to the job site in two business days or less.

Simple installation
 Easy install of base mounting bracket and bollard body with stainless hardware and standard tools. Body can be detached from base without disturbing flooring for maintenance or replacement.

Secure mounting
 1/2" diameter masonry anchors provided for mounting on pavers, concrete, or other flooring materials.

Weather-resistant cap secured with stainless steel set screws
 Easy removal of leak-free mortised black marine board cap to access internal wiring. Cap material is resistant to fading or cracking in all environments.

Corrosion resistant body
 Durable stainless steel construction for long-lasting use in both indoor and outdoor locations.

Prep for INGRESS'R® mounting
 Compatible with Wikk's 36" INGRESS'R® bar actuator for full range activation and ADA compliance.

Single Gang Prep for additional device
 Includes real estate for mounting a card reader or other external device. Compatible with any device requiring single gang mounting.

