

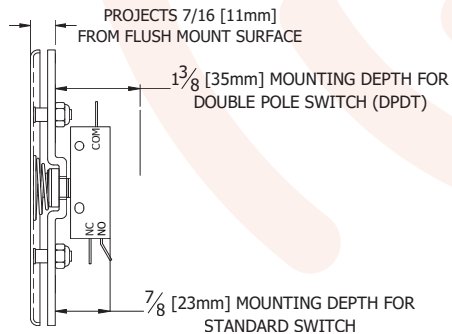
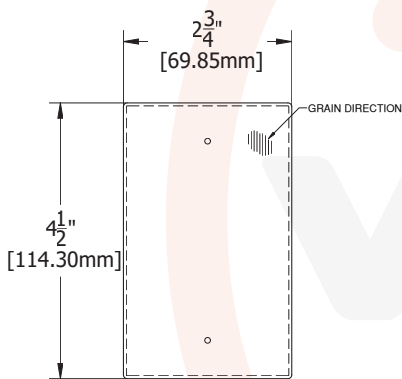
SFA Switch Series

SFA Series

Phone: 877.421.9490
Fax: 877.421.3158
customerservice@wikk.com



See Literature for Standard Symbol Options • Custom Options Also Available



Spec Summary

The switches to be used throughout the complex shall be Wikk Industries Inc. SFA (2 3/4" X 4 1/2") switches, and shall be ADA complaint. Switches shall be such that pressing any part of the faceplate will activate the device. Faceplates shall be constructed 18GA 304 Stainless Steel or 16GA Brass. Switches shall use a conical spring to provide consistent activation. Switches shall be rated at 15A, 125/250VAC; 3/4hp, 125VAC.

Features:

- The SFA Series US32D has smooth rounded edges
- 304 Satin Stainless Steel US32D (630)
- Tamper resistant by reason of no visible mounting
- Ready for either hardwired or wireless products
- Mounts on single gang electrical boxes

Mounting Options:

Flush Mount:

Single gang electrical boxes

Surface Mount:

Part# SURF SFA (Brown Phenolic material)

Part# Surf 6/M Clear (628) Anodized aluminum ring

Part# Surf 6/M Dark Bronze (710) Anodized aluminum ring

Bollard:

6x6 Part# BPS SM-PREP36: Clear (628), DK Brz (710), LT Brz, Black (711), US32 (629), US32D (630)

4x4 Part# B4S SM-PREP36: Clear (628), DK Brz (710), US32D (630), Mill

All WIKK switches are customizable. Contact us to learn more. This product has these customizable options:

Materials/Finishes:

Mirror Stainless Steel - US32 (629) - Mirror Brass (Uncoated) - US3 (605) - Satin Brass (Uncoated) - US4 (606) - Oil Rubbed & Relieved Oxidized Brass - US10B (613) - Powder Coated

- See color Chart

Logo:

Debossed or Engraved: with infill colors shown in literature, or custom Engraved and infilled with your choice of colors - Blue, Black, White, Red, Green, and Chocolate Brown

WR (Weather Resistant) Option:

Rubber Dome seal protects switch mechanism to effectively block dirt and moisture from damaging snap action switch

Double Pole Double Throw

Grade 2 Braille Lettering

For technical assistance, contact engineering@wikk.com

Overall Dimensions: 2.5" W x 4.5" H x 1.42" Deep
(64 mm x 114mm x 36mm)

Voltage 12/24V AC/DC
Switch Type Momentary
Contact Type Single Pole-Double Throw, dry contact momentary action micro-switch, capable of normally open or normally closed operation.
Current Rating 15Amp, 125/250 VAC UL & CSA Tested
Max Temp Rating -40°F to +221°F (-40°C to +105°C)
UL & CSA Tested