

# Key Switch; AA (Narrow All Active)

KSM1-4XAA-3

Phone: 877.421.9490  
Fax: 877.421.3158  
customerservice@wikk.com



## Specification Summary

The switches to be used throughout the complex shall be Wikk® Industries Inc. Key Switches, and shall be ADA compliant. Faceplates shall be constructed 18GA 304 Stainless Steel or 16GA Brass. Switches shall be rated 6 amps at 125 VAC, 3 amps at 250 VAC (1PDT Momentary Rated 5 amps at 120VAC, 2 amps at 250 VAC)

### Features:

- 1 pole Maintained Contact with AA-3 Switch Attached
- 304 Satin Stainless Steel US32D (630)
- 1" mortise cylinder with standard Adam Rite cam
- Schlage C Keyways
- All locks keyed alike
- Mounts on double gang electrical box
- Can Choose other AA Logo

### Mounting Options:

#### Flush Mount:

Double Gang electrical boxes with 2 device surface ring;

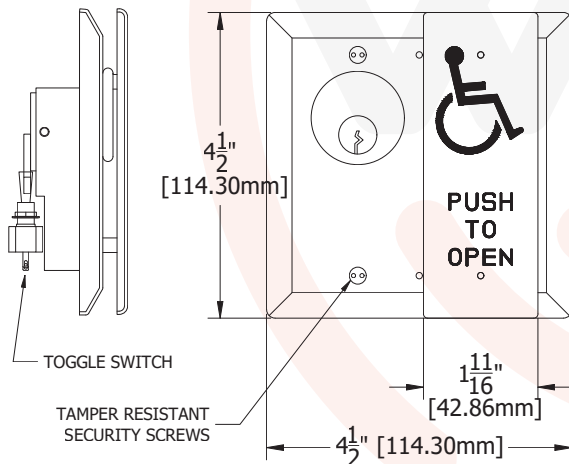
#### Surface Mount:

Part# SURF4/m; SURF SQ 4 & 6 BLK

#### Bollard:

Square Bollards (Requires 2 gang prep)

Mounting depth vary from 7/8" to 1 1/4" (22mm-32mm) depending on switch function and cover plate size



**All WIKK switches are customizable. Contact us to learn more. This product has these customizable options:**

### Materials/Finishes:

Mirror Stainless Steel - US32 (629); Mirror Brass (Uncoated) - US3 (605); Satin Brass (Uncoated) - US4 (606); Oil Rubbed & Relieved Oxidized Brass - US10B (613)

### Choice of AA Logos AA-2 or AA-5

**Overall Dimensions:** 4 1/2" W x 4 1/2" H x 7/8-1 1/4" Deep (114mm x 114mm x 22-32mm)

**Technical Specs** Heavy duty compact block and switch assembly; 1" satin chrome mortise cylinder with Adams Rite cam and Schlage C keyways; Rated 6 amps at 125 VAC, 3 amps at 250 VAC (1PDT Momentary Rated 5 amps at 120VAC, 2 amps at 250 VAC)

For technical assistance, contact [engineering@wikk.com](mailto:engineering@wikk.com)